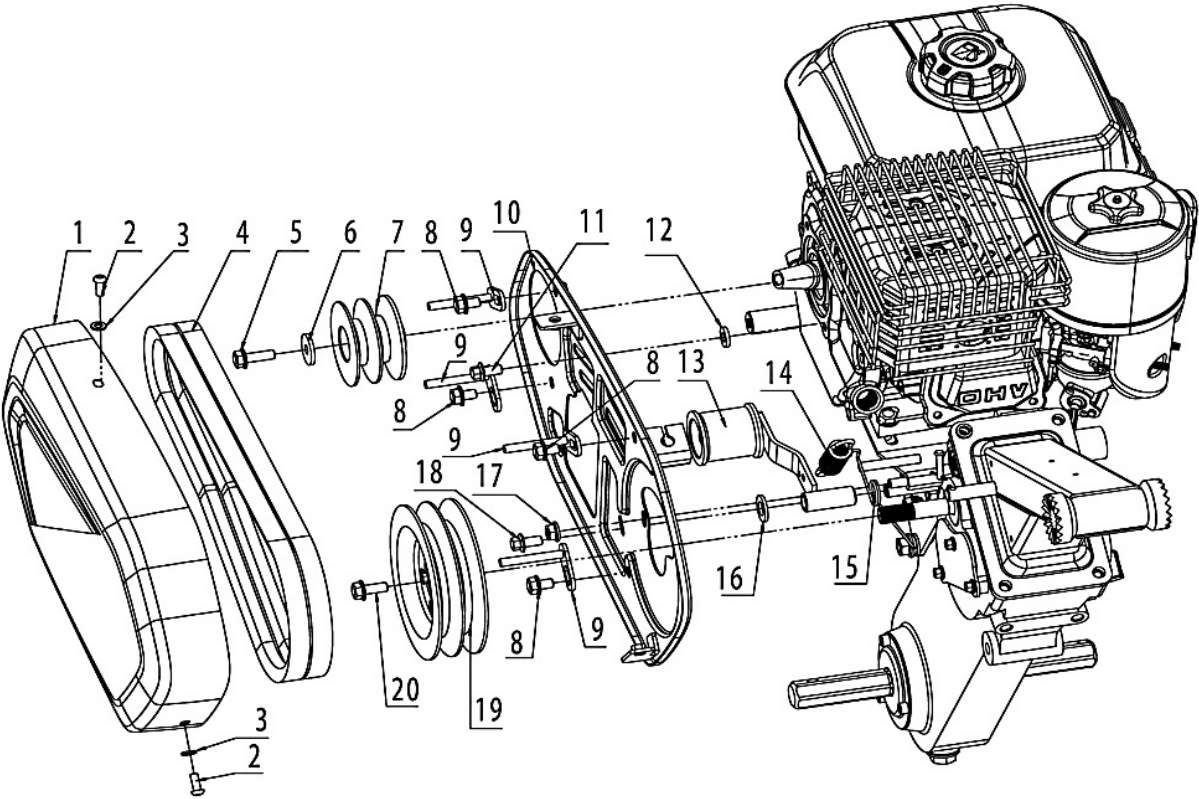




SPARE PARTS LIST

CULTIVATORS/TILLERS

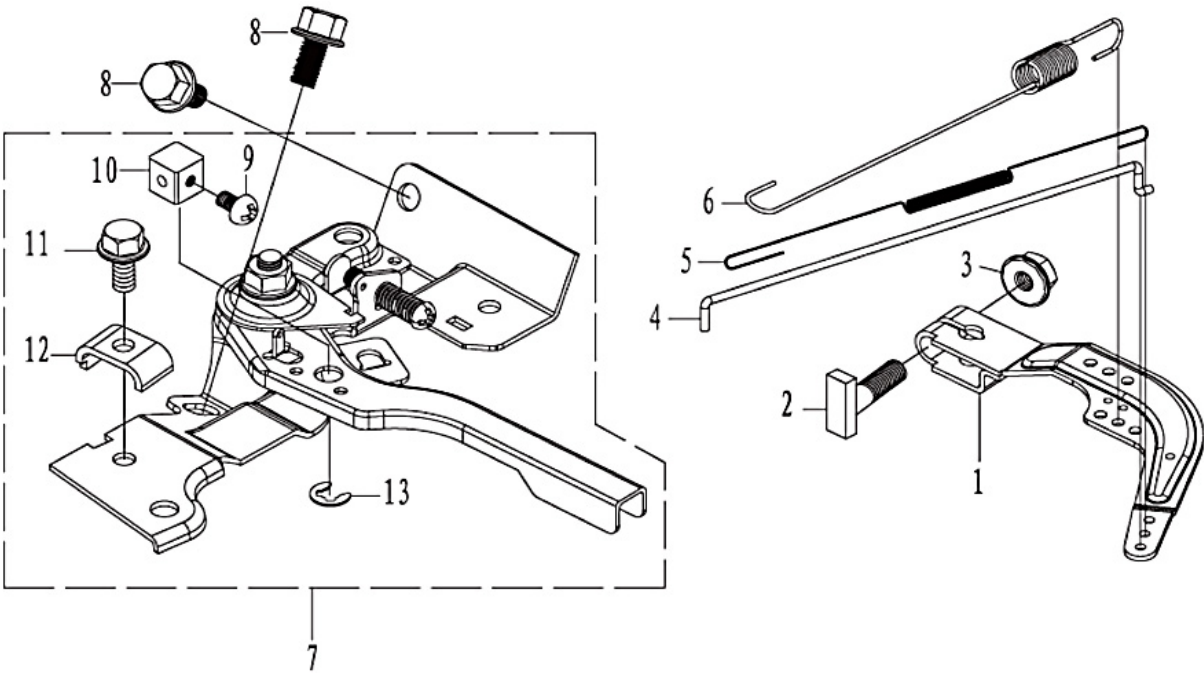
TF 338, 967316801, 2015-03



BELT

TF 338, 967316801, 2015-03

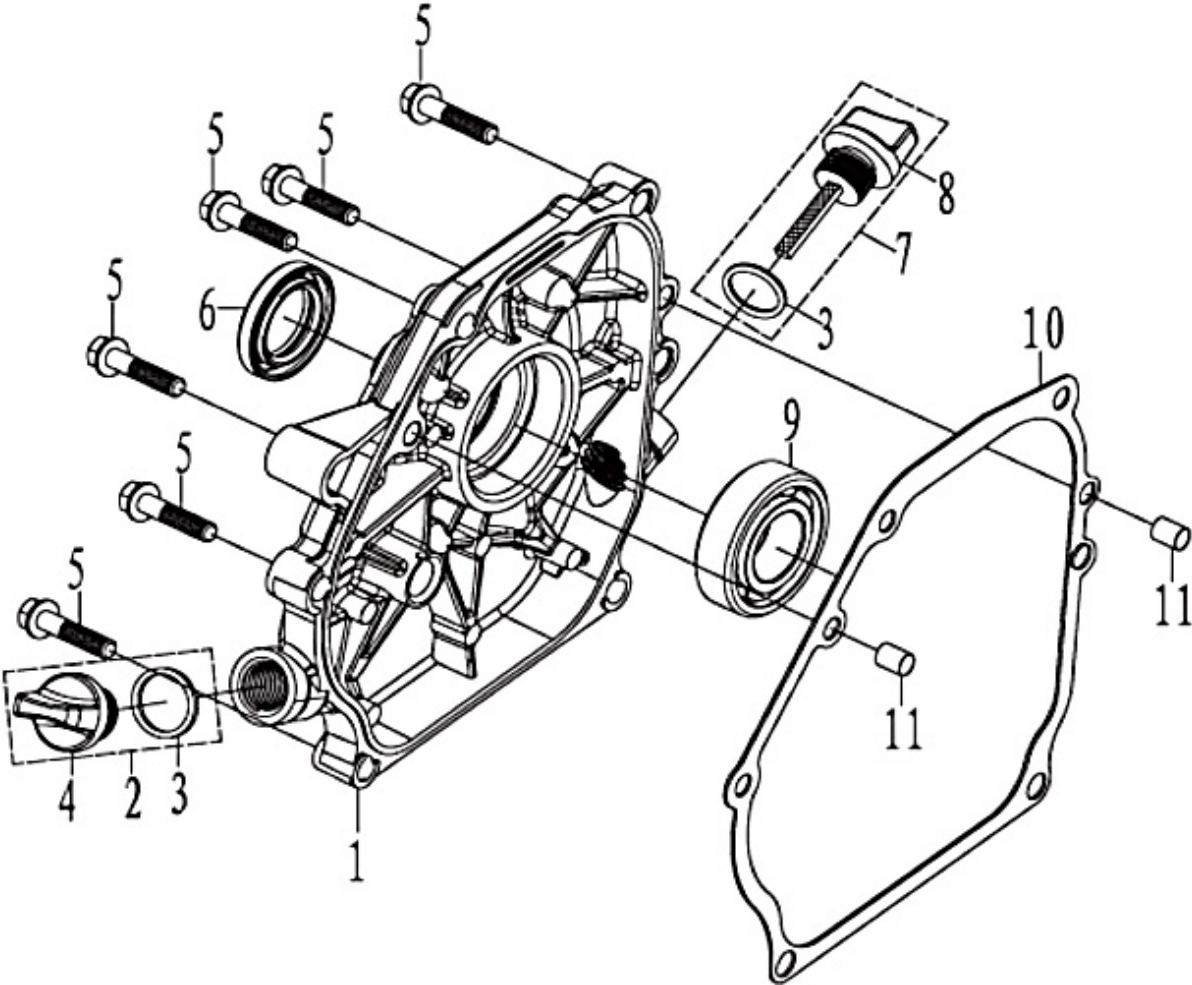
Ref	Part No	Description	Remark	QTY KIT
1	587 95 34-01	BELT COVER		1
2	587 94 99-01	BOLT	Hex M6_16	2
3	587 93 69-01	WASHER	6	2
4	587 95 35-01	BELT		2
5	587 95 40-01	BOLT	Hex M8_25	1
6	587 95 36-01	WASHER	8	1
7	587 95 37-01	PULLEY		1
8	587 95 40-01	BOLT	M8_10	4
9	587 95 42-01	LEVER		4
10	587 95 44-01	PLATE		1
11	588 08 98-01	BOLT	Hex M8_16	1
12	587 95 69-01	WASHER	8_18_5.5	1
13	587 95 70-01	PULLEY		1
14	587 95 72-01	SPRING		1
15	587 95 73-01	SPRING		1
16	588 09 00-01	WASHER	12	1
17	587 93 73-01	NUT	M8	1
18	588 08 99-01	BOLT	M6_12	1
19	587 95 74-01	PULLEY		1
20	587 93 70-01	BOLT	Hex M8_20	1



CONTROLS

TF 338, 967316801, 2015-03

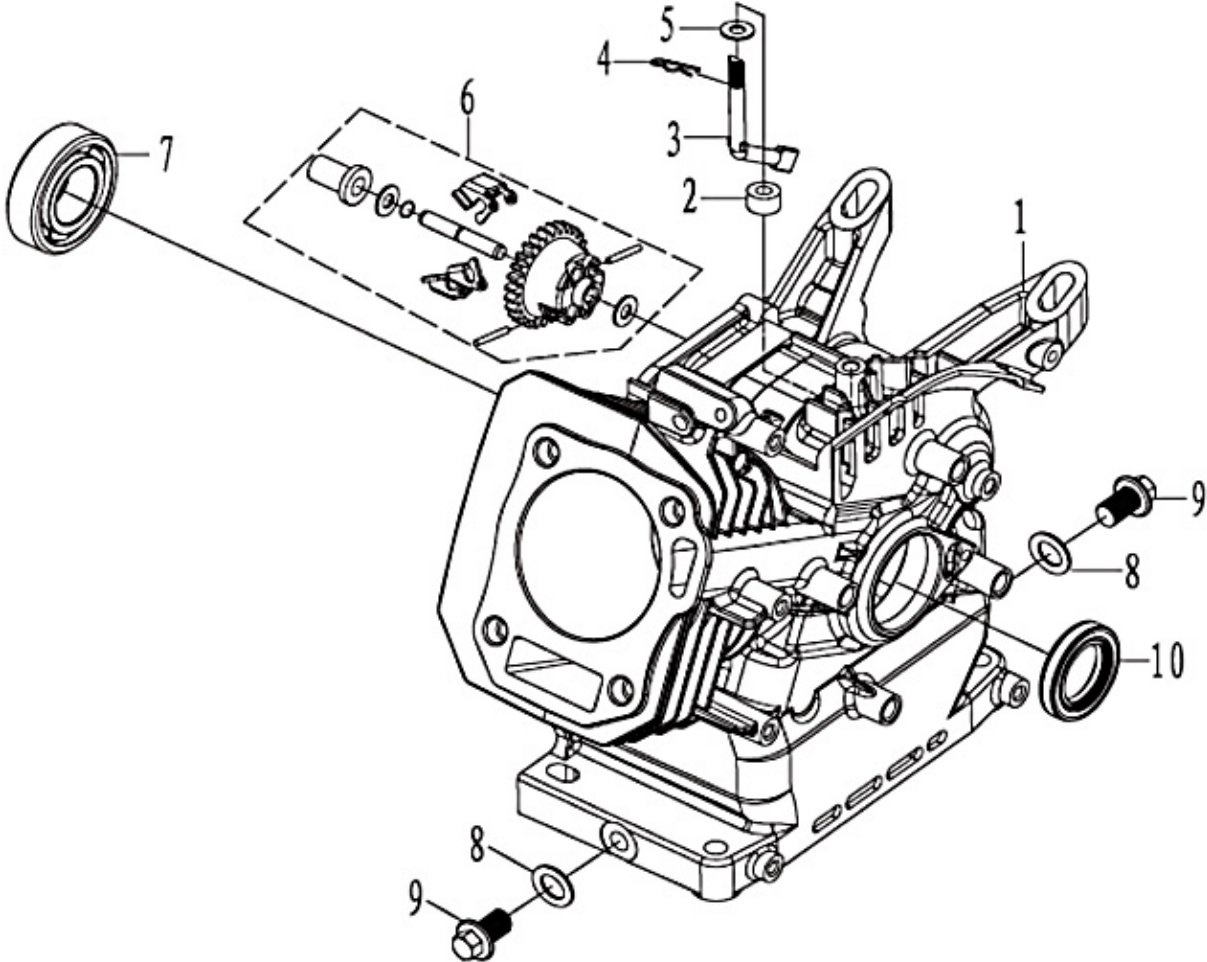
Ref	Part No	Description	Remark	QTY	KIT
1	588 00 69-01	ARM		1	
2	588 00 71-01	BOLT	T-Shape	1	
3	588 00 72-01	NUT	M6	1	
4	588 00 73-01	TIE ROD		1	
5	588 00 74-01	SPRING		1	
6	588 00 75-01	SPRING		1	
7	588 00 76-01	CONTROL		1	
8	588 00 77-01	BOLT	M6x12	2	
9	588 00 78-01	SCREW	M4x6	1	7
10	588 01 69-01	CONNECTION		1	7
11	588 00 79-01	BOLT	M5x16	1	7
12	588 01 70-01	CLAMP		1	7
13	588 00 80-01	WASHER		1	7



COVER

TF 338, 967316801, 2015-03

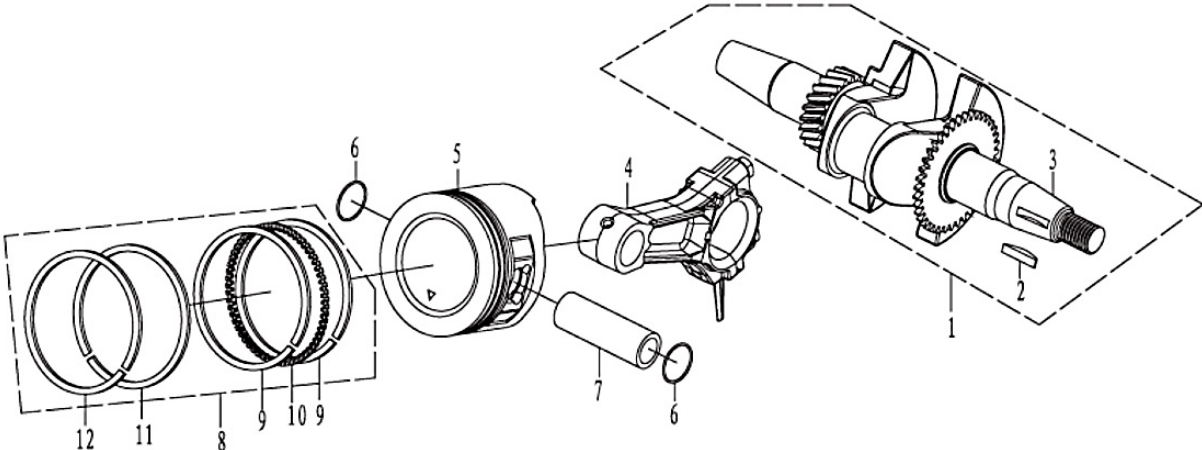
Ref	Part No	Description	Remark	QTY	KIT
1	588 00 20-01	COVER		1	
2	588 00 21-01	PLUG		1	
3	588 00 22-01	SEALING		1	7
4	588 00 23-01	PLUG		2	
5	588 00 25-01	BOLT	M8x32	6	
6	588 00 18-01	SEAL		1	
7	588 00 24-01	DIPSTICK		1	
8	588 00 26-01	DIPSTICK		1	7
9	587 94 21-01	BEARING	Gb/T276/6205	1	
10	588 00 27-01	GASKET		1	
11	588 00 28-01	PIN	_8x14	2	



CRANKCASE

TF 338, 967316801, 2015-03

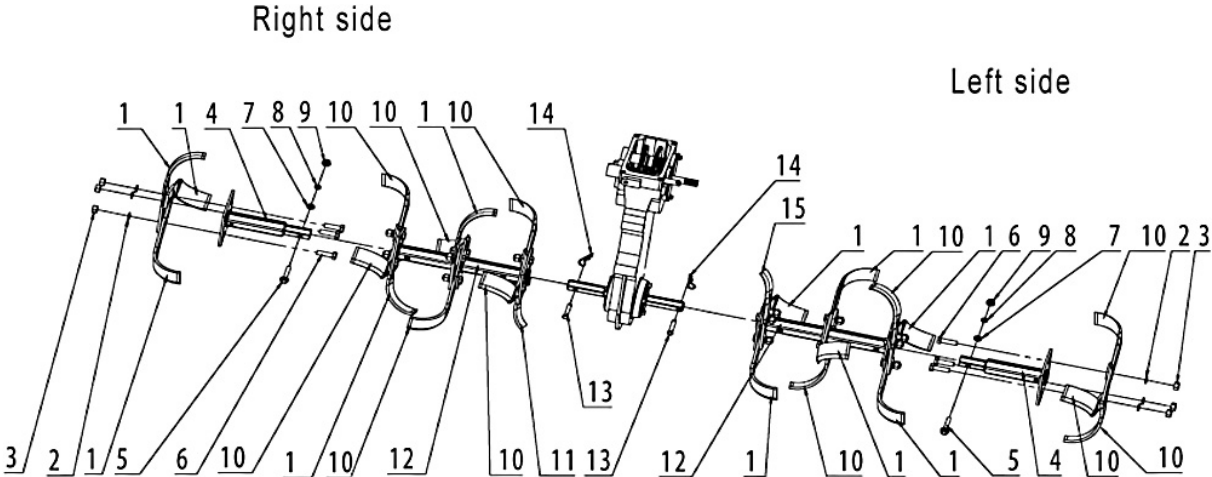
Ref	Part No	Description	Remark	QTY KIT
1	588 01 47-01	CRANKCASE		1
2	588 47 61-01	SEAL		1
3	588 00 10-01	ARM		1
4	588 00 11-01	KEEPER		1
5	588 00 12-01	WASHER	_6x_13x1	1
6	588 00 13-01	GOVERNOR		1
7	588 00 16-01	BEARING	6205	1
8	588 00 15-01	WASHER	_10x_16x1.5	2
9	588 00 17-01	BOLT	M10x15	2
10	588 00 18-01	SEAL	_25x_41.25x6	1



CRANKSHAFT

TF 338, 967316801, 2015-03

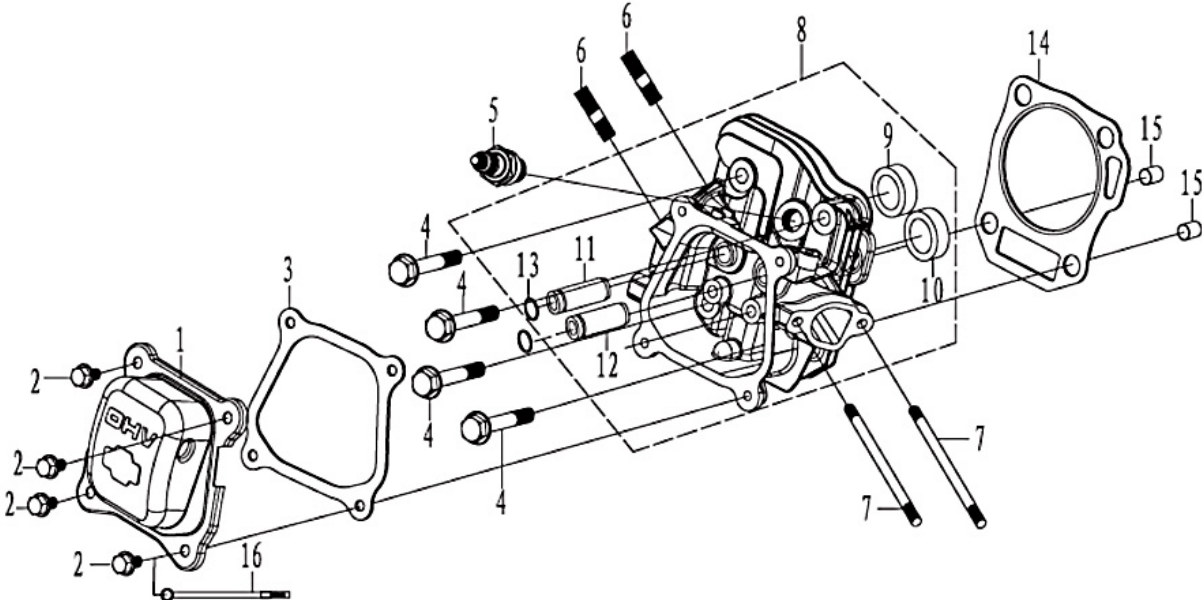
Ref	Part No	Description	Remark	QTY	KIT
1	588 01 48-01	CRANKSHAFT		1	
2	588 00 30-01	WOODRUFF KEY		1	1
3	588 01 49-01	CRANKSHAFT		1	1
4	588 01 50-01	CONNECTING ROD		1	
5	588 01 51-01	PISTON		1	
6	588 00 34-01	CLIP		2	
7	588 00 35-01	PISTON PIN		1	
8	588 01 52-01	PISTON RING		1	
9	588 01 53-01	FILM		1	
10	588 01 54-01	BUSH		1	
11	588 01 55-01	RING	Gas Ring Two	1	
12	588 01 56-01	RING	Gas Ring One	1	



CUTTING BLADE

TF 338, 967316801, 2015-03

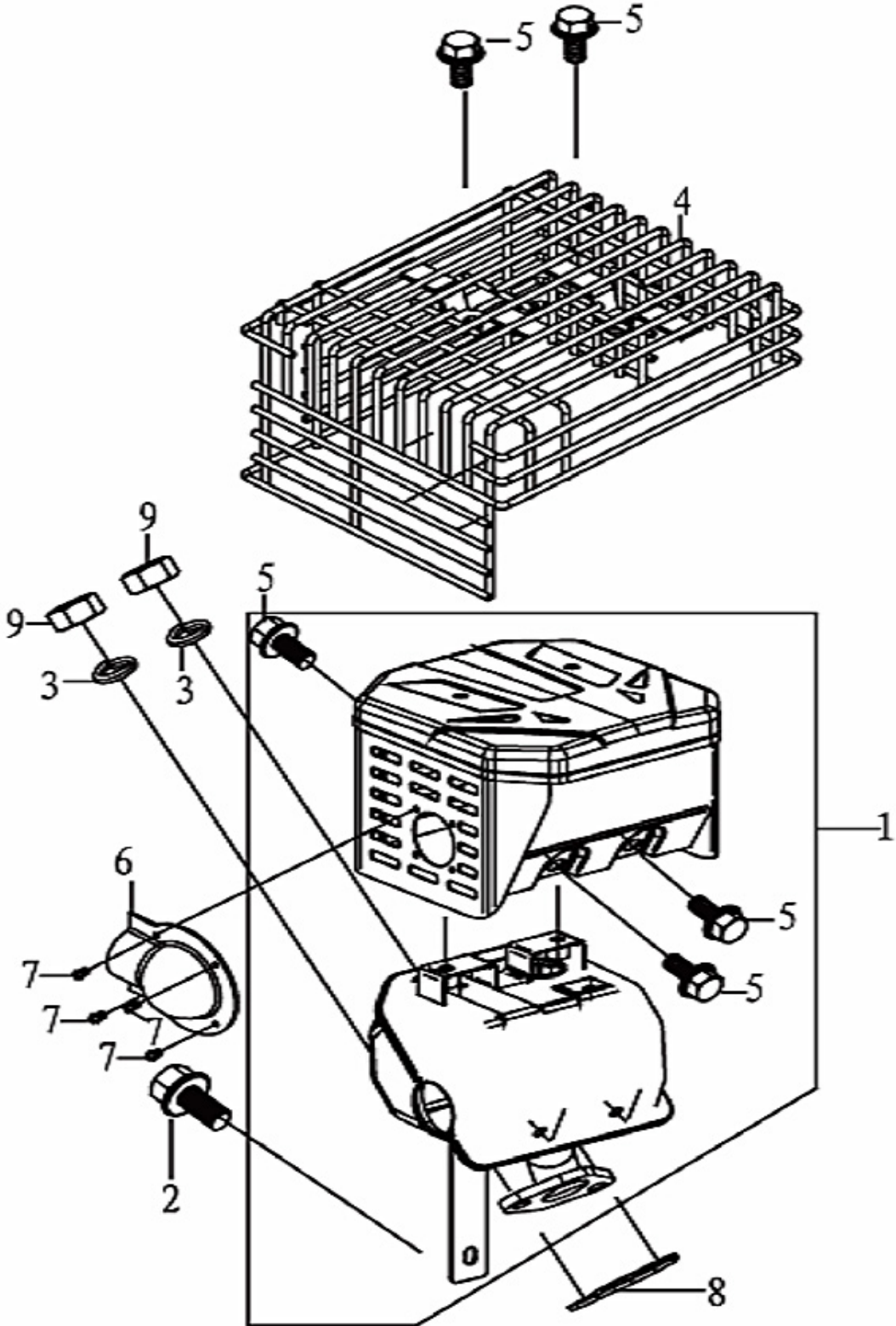
Ref	Part No	Description	Remark	QTY KIT
1	587 95 89-01	BLADE	LH	11
2	587 95 02-01	WASHER	10	24
3	587 95 88-01	NUT	M10	24
4	587 95 90-01	HOLDER		2
5	587 95 40-01	BOLT	M8_45	2
6	587 95 82-01	BOLT	Hex M10_35	24
7	587 95 91-01	WASHER	8	2
8	587 94 91-01	WASHER	8	2
9	587 95 92-01	NUT	Hex M8	2
10	587 95 93-01	BLADE	Right	11
11	587 95 94-01	BLADE	LH Short	1
12	587 95 95-01	HOLDER		2
13	587 95 87-01	PIN	8_43	2
14	587 95 26-01	CLIP	Clip B	2
15	587 95 96-01	BLADE	RH Short	1



CYLINDER COVER

TF 338, 967316801, 2015-03

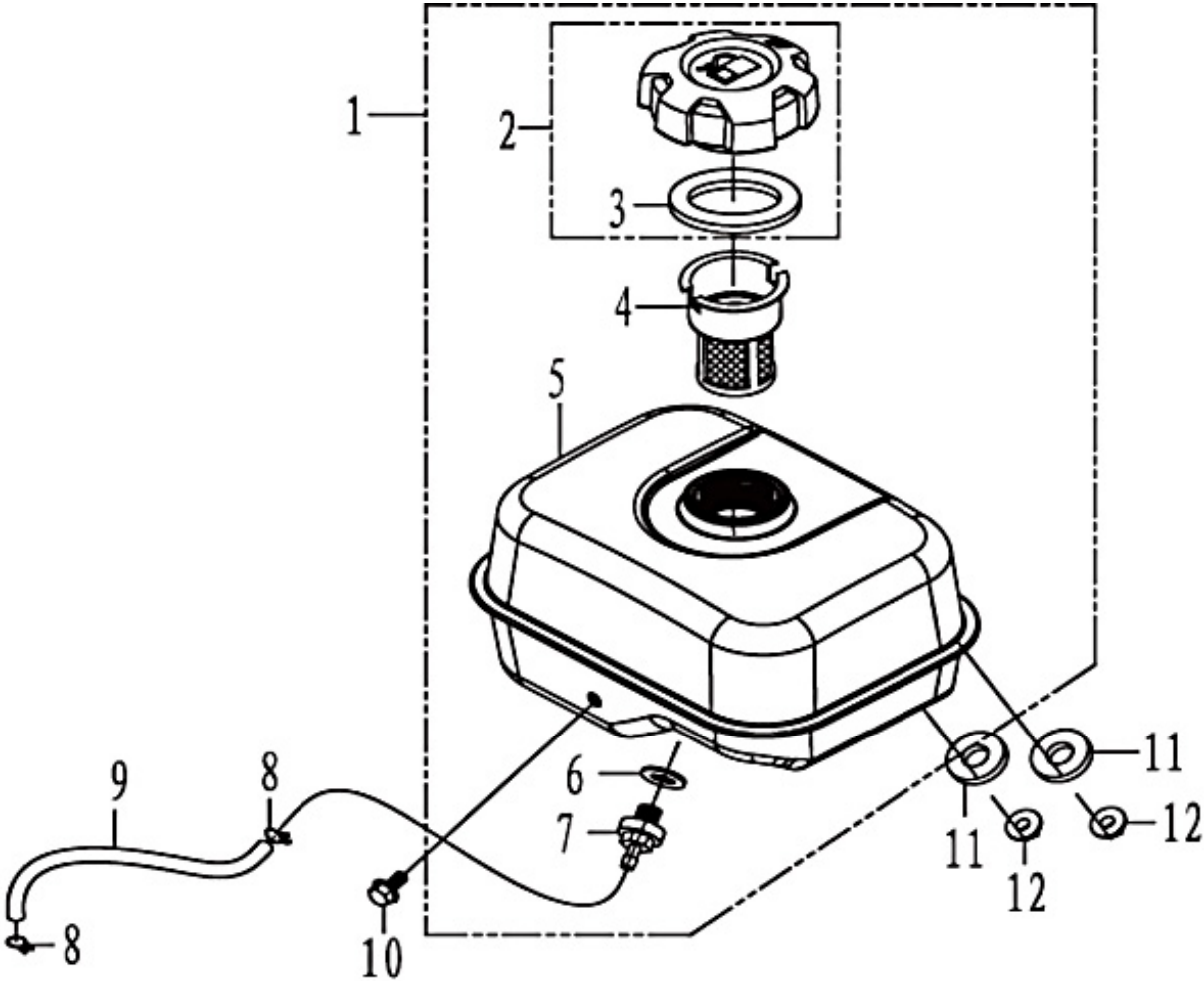
Ref	Part No	Description	Remark	QTY	KIT
1	588 01 43-01	COVER		1	
2	587 99 94-01	BOLT	Gb/T5789 M6x12	4	
3	588 01 44-01	GASKET		1	
4	587 99 96-01	BOLT	Gb/T5789 M8x60	4	
5	587 99 97-01	SPARK PLUG	F7Tc	1	
6	587 99 98-01	BOLT	M8x35	1	
7	587 99 99-01	BOLT	M6x110	1	
8	588 01 45-01	CYLINDER HEAD		1	
9	588 00 01-01	VALVE	Ex	1	8
10	588 00 02-01	VALVE	In	1	8
11	588 00 03-01	GUIDE	Ex.Valve	1	8
12	588 00 04-01	GUIDE	In.Valve	1	8
13	588 00 05-01	CLIP		2	8
14	588 01 46-01	GASKET		1	
15	588 00 07-01	PIN	_10x16	2	
16	588 47 60-01	CONNECTION		1	



EXHAUST

TF 338, 967316801, 2015-03

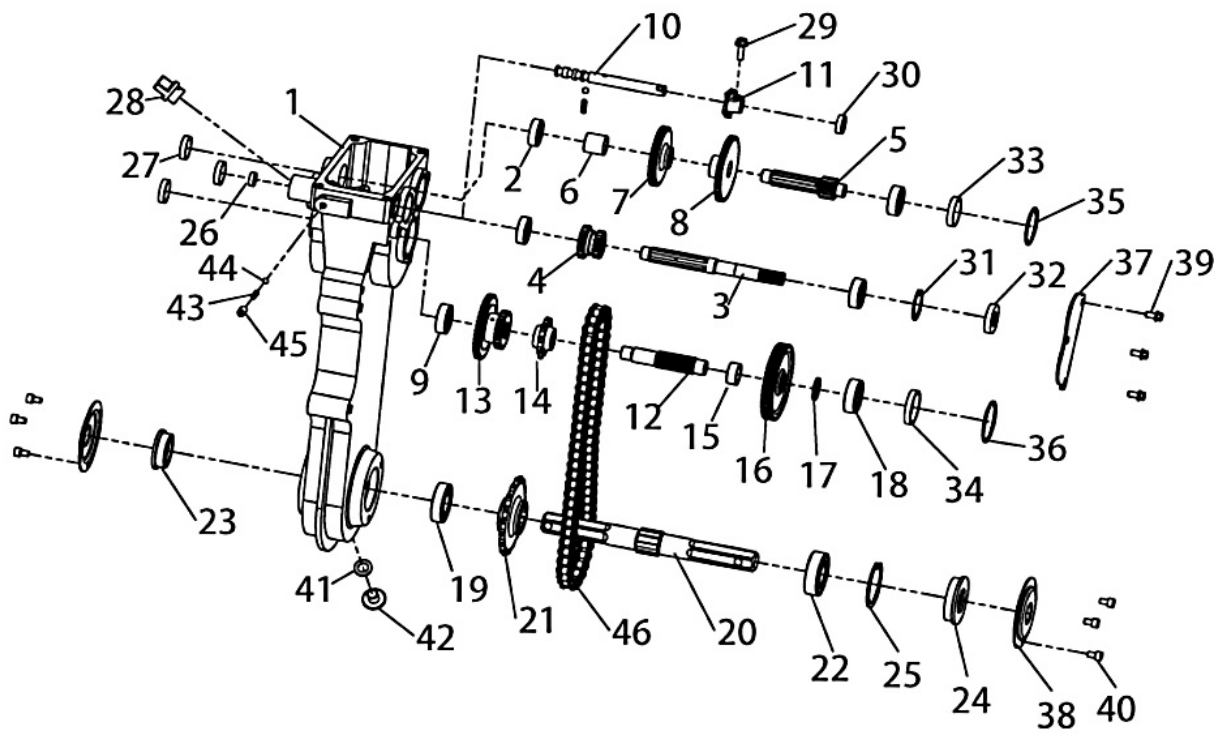
Ref	Part No	Description	Remark	QTY	KIT
1	588 01 61-01	MUFFLER		1	
2	588 00 77-01	BOLT	M6x12	1	
3	588 00 92-01	WASHER	8	2	
4	588 47 62-01	NET		1	
5	588 00 88-01	SCREW	M5x10	5	1
6	588 47 63-01	HOUSING		1	
7	588 00 89-01	SCREW	St4.2x5	4	
8	588 00 90-01	WASHER		1	
9	588 00 91-01	NUT	M8	1	



FUEL SYSTEM

TF 338, 967316801, 2015-03

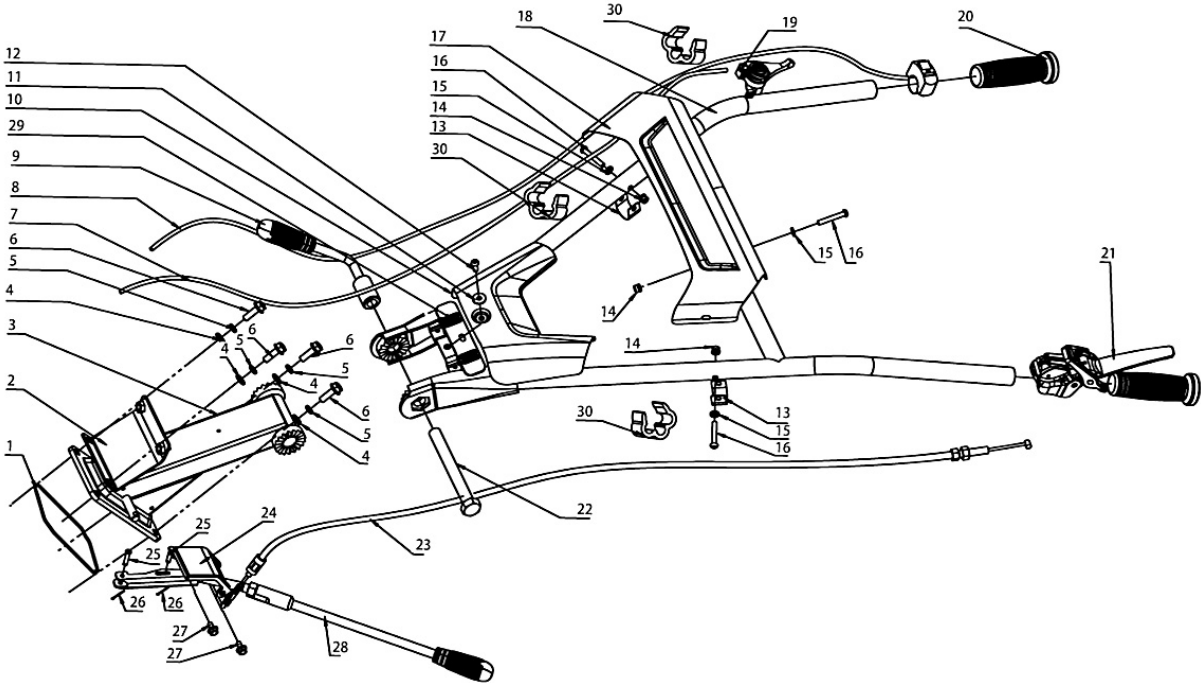
Ref	Part No	Description	Remark	QTY	KIT
1	588 01 62-01	FUEL TANK		1	
2	588 17 74-01	CAP		1	1
3	588 17 75-01	GASKET		1	1,2
4	588 17 76-01	FUEL FILTER		1	1
5	588 17 78-01	FUEL TANK		1	1
6	588 17 79-01	GASKET		1	1
7	588 17 80-01	JOINT		1	1
8	588 17 81-01	CLIP		2	
9	588 17 84-01	FUEL HOSE	L=160	1	
10	588 00 94-01	BOLT	M6x30	1	
11	588 01 40-01	WASHER		1	
12	588 00 72-01	NUT	M6	1	



GEAR BOX

TF 338, 967316801, 2015-03

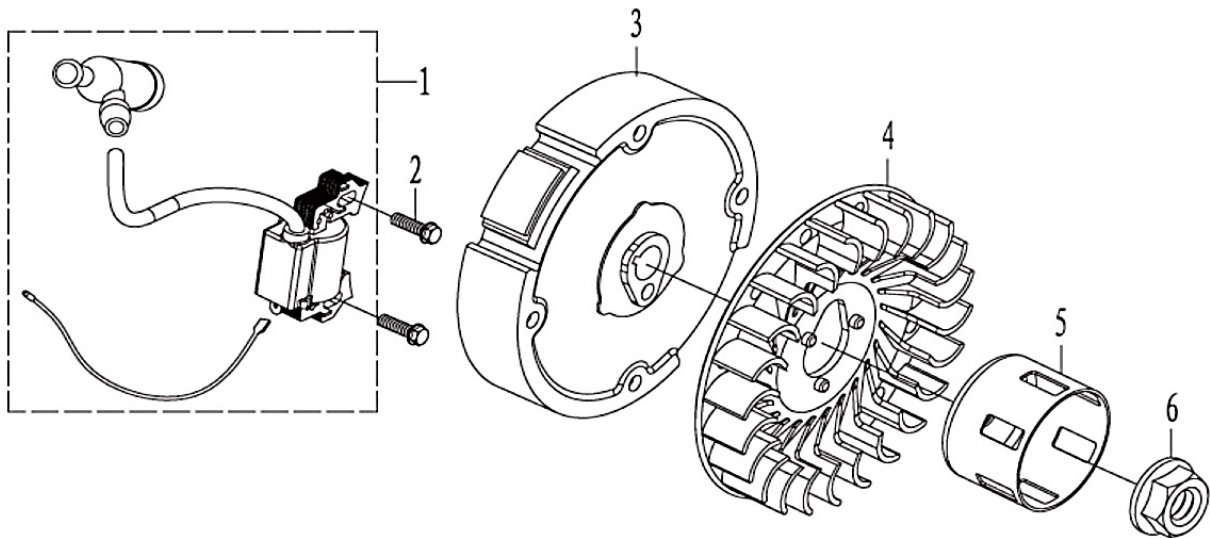
Ref	Part No	Description	Remark	QTY KIT
1	587 93 94-01	GEAR BOX		1
2	587 93 95-01	BEARING	6002	2
3	587 93 96-01	SHAFT		1
4	587 93 97-01	GEAR		1
5	587 93 98-01	SHAFT		1
6	587 93 99-01	BUSH	F1	1
7	587 94 00-01	GEAR		1
8	587 94 01-01	GEAR		1
9	587 94 02-01	BEARING	6202	3
10	587 94 03-01	SHAFT		1
11	587 94 05-01	FORK		1
12	587 94 07-01	SHAFT		1
13	587 94 09-01	GEAR		1
14	587 94 10-01	SPROCKET		1
15	587 94 11-01	BUSH	I	1
16	587 94 13-01	GEAR		1
17	587 94 14-01	PLATE	17.1_27_1	1
18	587 94 17-01	BEARING	6203	1
19	587 94 18-01	BEARING	6005	1
20	587 94 19-01	SHAFT		1
21	587 94 20-01	SPROCKET		1
22	587 94 21-01	BEARING	6205	1
23	587 94 24-01	SEAL	B 25_41_9.5	1
24	587 94 25-01	SEAL	A 25_52_9.5	1
25	587 94 28-01	O-RING		1
26	587 94 29-01	OIL PLUG		1
27	587 94 30-01	OIL PLUG		3
28	587 94 31-01	OIL PLUG		1
29	587 94 32-01	BOLT		1
30	587 94 33-01	SEAL	12_22_6	1
31	587 94 34-01	CIRCLIP	35	1
32	587 94 35-01	SEAL	15_35_7	1
33	587 94 36-01	BUSH	C	1
34	587 94 37-01	BUSH	D	1
35	587 94 39-01	O-RING	39_2.6	1
36	587 94 40-01	O-RING	43.5_2.6	1
37	587 94 43-01	STOP		1
38	587 94 46-01	COVER		2
39	587 93 71-01	BOLT	Hex M6_12	3
40	587 94 49-01	BOLT	Hex M6_10	6
41	587 94 50-01	WASHER	12_20_2	1
42	587 94 51-01	BOLT	Hex M12_1.5_15	1
43	587 94 52-01	SPRING		2
44	587 94 53-01	BALL	S_6.35	2
45	587 94 54-01	SCREW	M8_12	1
46	587 94 55-01	CHAIN		1



HANDLE & CONTROLS

TF 338, 967316801, 2015-03

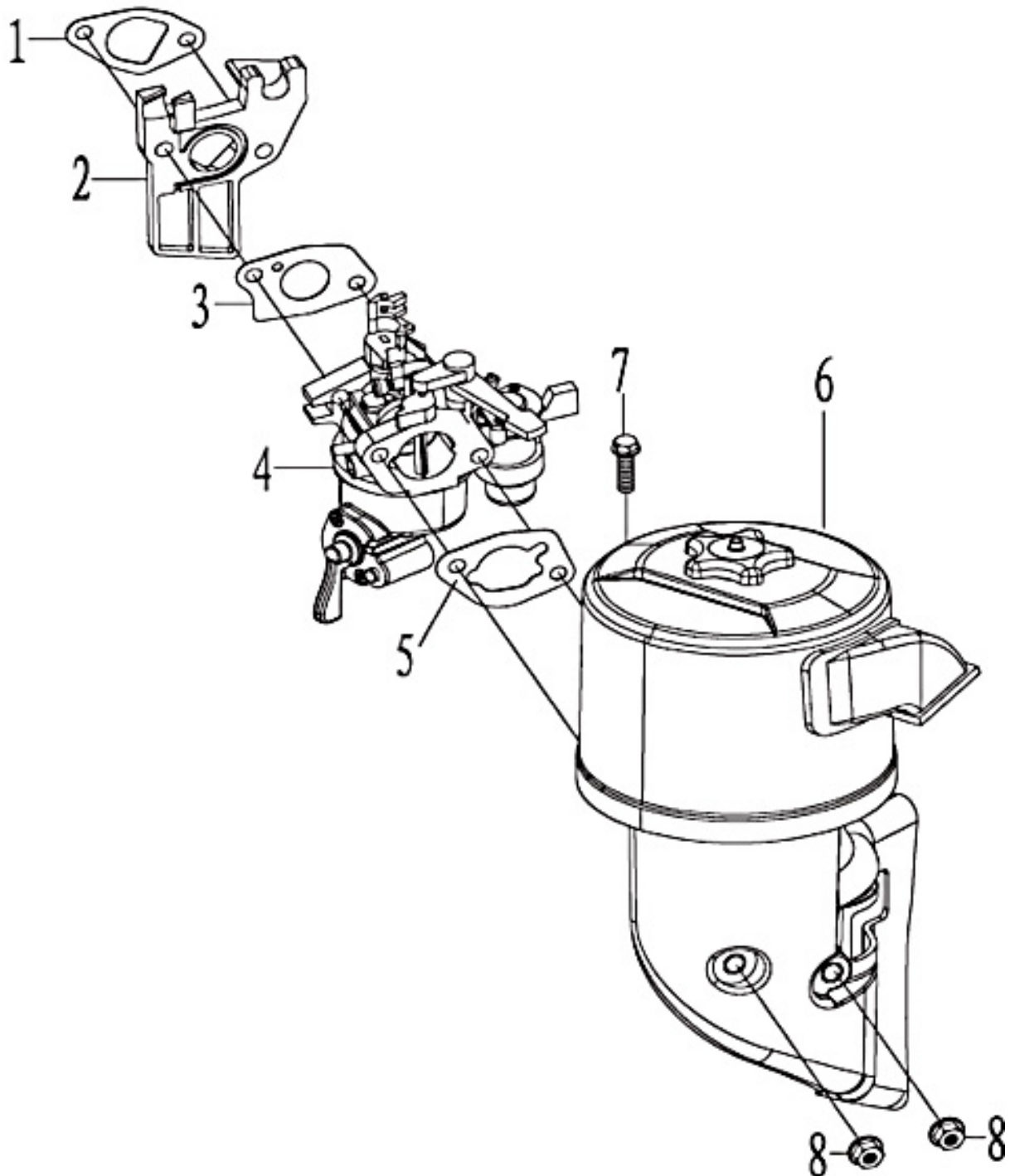
Ref	Part No	Description	Remark	QTY KIT
1	587 94 56-01	GASKET		1
2	587 94 57-01	SUPPORT PLATE		1
3	587 94 89-01	HANDLE BRACKET		1
4	587 94 90-01	WASHER	8	4
5	587 94 91-01	WASHER	8	4
6	587 94 92-01	BOLT	M8_25	4
7	587 94 93-01	THROTTLE CABLE		1
8	587 94 94-01	STOP SWITCH		1
9	587 94 96-01	KNOB		1
10	587 94 97-01	COVER	Lower	1
11	587 94 98-01	WASHER	6	1
12	587 94 99-01	BOLT	Hex M6_16	1
13	587 95 00-01	SUSPENSION		2
14	587 95 01-01	NUT	M6	3
15	587 93 69-01	WASHER	6	3
16	588 08 92-01	BOLT	Hex M6_35	3
17	587 95 05-01	COVER	Upper	1
18	587 95 06-01	HANDLE		1
19	587 95 07-01	THROTTLE CONTROL		1
20	587 95 08-01	HANDLE GRIP		2
21	587 95 09-01	CLUTCH		1
22	587 95 10-01	BOLT	M16_140	1
23	587 95 11-01	CABLE		1
24	587 95 12-01	INDICATOR		1
25	587 95 13-01	PIN	5_25	2
26	587 95 14-01	COTTER	1.5_20	2
27	587 95 15-01	BOLT	M6_12	2
28	587 95 16-01	LEVER		1
29	588 24 82-01	HOLDER		1
30	588 26 57-01	CLIP		1



IGNITION SYSTEM

TF 338, 967316801, 2015-03

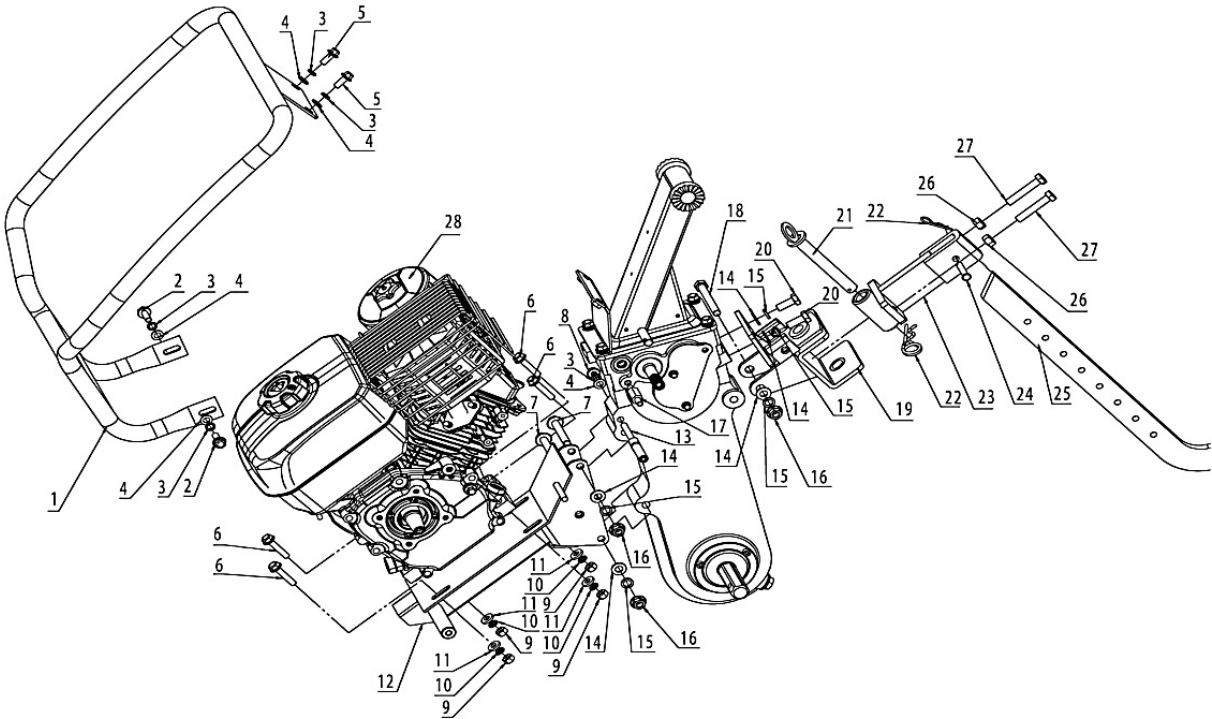
Ref	Part No	Description	Remark	QTY KIT
1	588 01 60-01	SWITCH		1
2	588 00 82-01	BOLT	M6x22	2
3	588 00 83-01	FLYWHEEL		1
4	588 00 84-01	FAN		1
5	588 00 85-01	PULLEY		1
6	588 00 86-01	NUT	M14x1.5	1



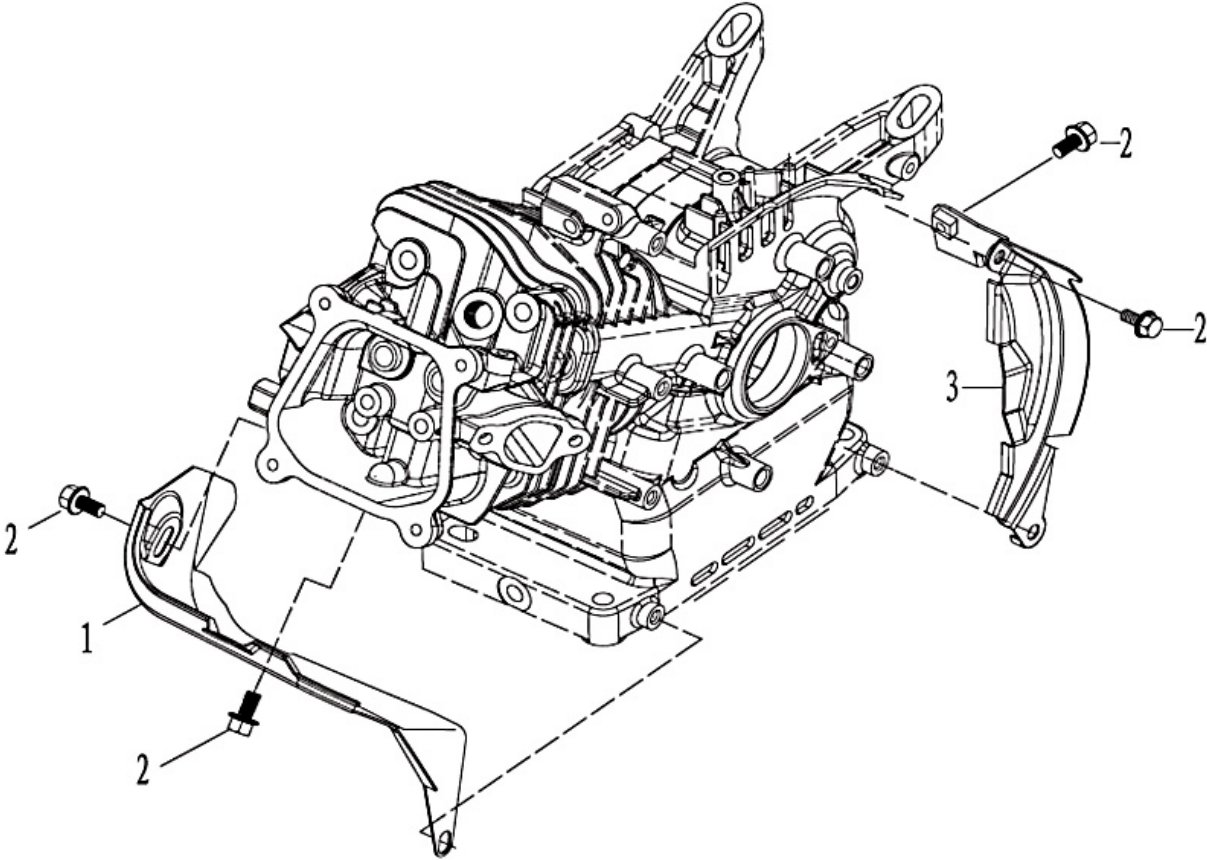
INTAKE SYSTEM

TF 338, 967316801, 2015-03

Ref	Part No	Description	Remark	QTY KIT
1	588 00 63-01	WASHER		1
2	588 00 64-01	INSULATOR		1
3	588 01 68-01	GASKET		1
4	588 00 65-01	CARBURETTOR		1
5	588 00 66-01	GASKET		1
6	588 00 67-01	AIR CLEANER		1
7	588 00 68-01	BOLT	Gb/T5789/M6*22	1
8	588 00 70-01	NUT	Gb/T6177/M6	2



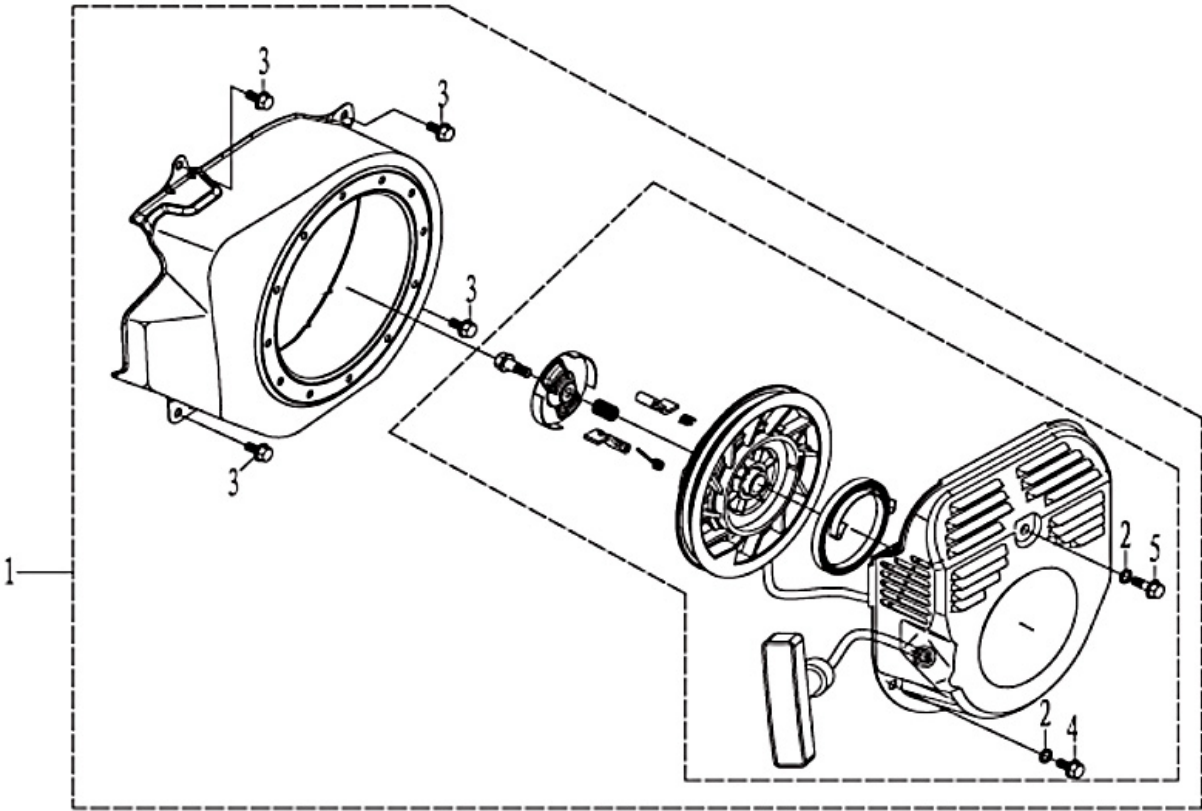
Ref	Part No	Description	Remark	QTY KIT
1	587 93 39-01	BUMPER		1
2	587 93 70-01	BOLT	M8_20	2
3	589 01 72-01	WASHER	8	5
4	589 01 73-01	WASHER	8	5
5	587 93 70-01	BOLT	M8_20	2
6	587 93 71-01	BOLT	Hex M8_40	4
7	587 93 72-01	BOLT	M10_70	2
8	587 93 73-01	NUT	M8	1
9	587 93 74-01	NUT	M8	4
10	587 94 91-01	WASHER	8	4
11	587 93 75-01	WASHER	8_18_3	4
12	587 93 76-01	ENGINE PLATE		1
13	587 95 17-01	AXLE		1
14	587 98 29-01	WASHER	10	5
15	587 93 68-01	SPRING WASHER	10	5
16	588 08 95-01	NUT	M10	3
17	587 95 19-01	BOLT		1
18	587 95 21-01	BOLT	M10_85	1
19	587 95 23-01	PLATE		1
20	587 95 24-01	BOLT	M10_25	2
21	587 95 25-01	PIN		1
22	587 95 26-01	CLIP		2
23	587 95 27-01	CONNECTOR		1
24	587 95 13-01	PIN	8_43	1
25	587 95 31-01	BAR		1
26	587 95 88-01	NUT	M10	2
27	588 09 01-01	BOLT	M10_55	2
28	587 95 32-01	ENGINE		1



SHIELD

TF 338, 967316801, 2015-03

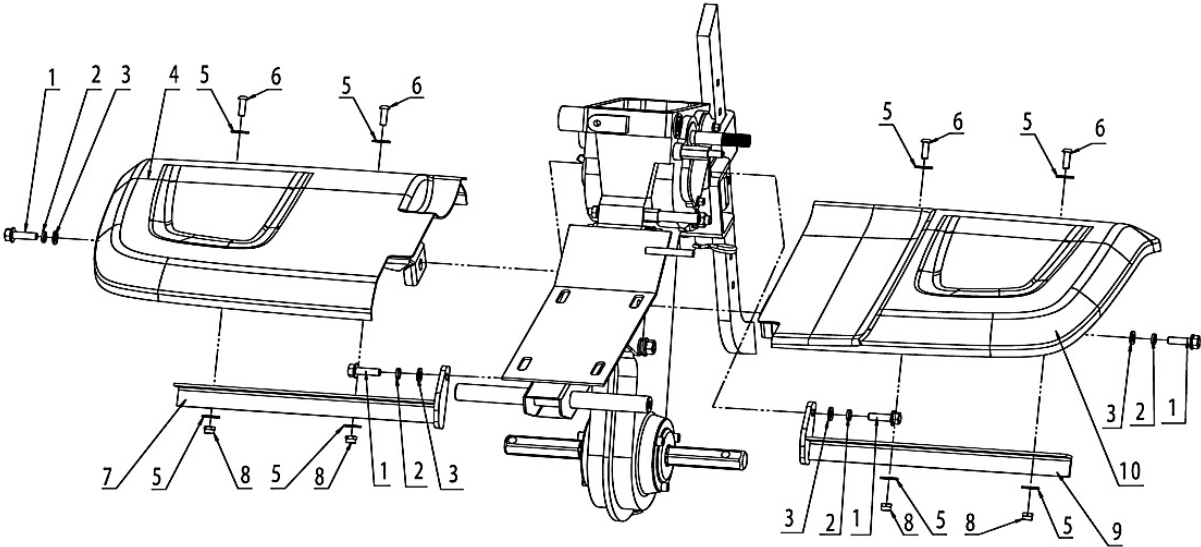
Ref	Part No	Description	Remark	QTY KIT
1	588 01 41-01	SHIELD		1
2	588 00 77-01	BOLT	M6x12	4
3	588 01 64-01	SHROUD		1



STARTER

TF 338, 967316801, 2015-03

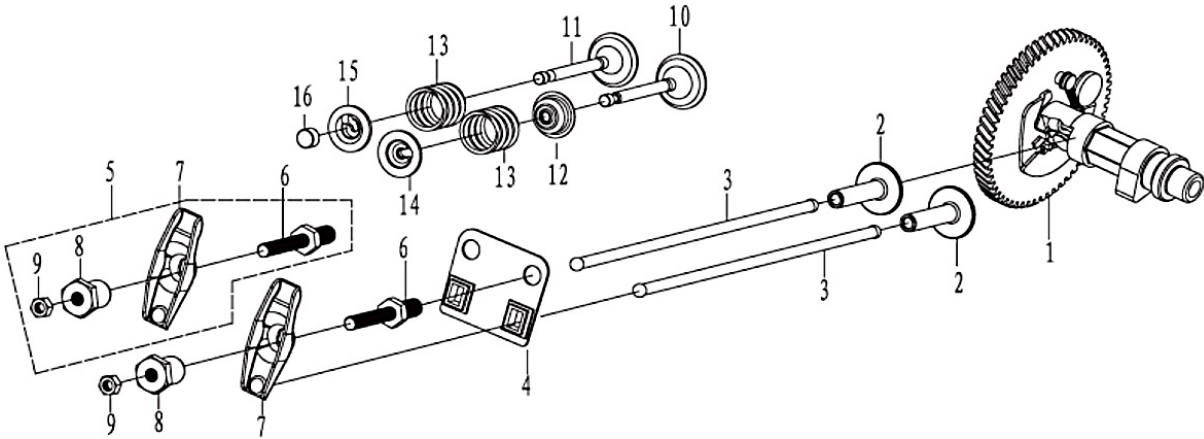
Ref	Part No	Description	Remark	QTY KIT	
1	588 01 58-01	STARTER		1	
2	588 00 60-01	WASHER	Washer 6	3	1
3	587 97 94-01	BOLT	Gb/T16674.1/M6*12	4	1
4	588 00 61-01	BOLT	M6x10	2	1
5	588 00 62-01	BOLT	M6x60	1	1



TINE SHIELD

TF 338, 967316801, 2015-03

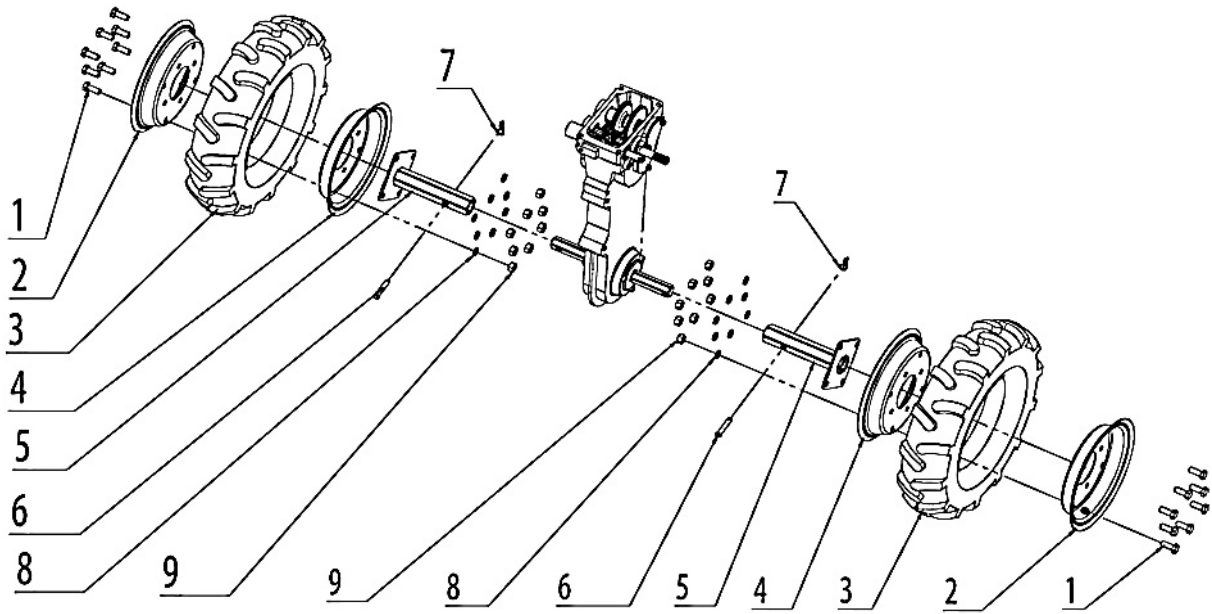
Ref	Part No	Description	Remark	QTY KIT
1	587 93 70-01	BOLT	M8_25	4
2	587 93 68-01	SPRING WASHER	8	4
3	587 93 69-01	WASHER	8	4
4	587 95 77-01	COVER	RH Tine	1
5	587 94 98-01	WASHER	6	8
6	587 94 99-01	BOLT	Hex M6_16	4
7	587 95 79-01	BRACKET	Rear RH	1
8	587 95 01-01	NUT	M6	4
9	587 95 80-01	BRACKET	Rear LH	1
10	587 95 81-01	COVER	LH Tine	1



VALVES

TF 338, 967316801, 2015-03

Ref	Part No	Description	Remark	QTY	KIT
1	588 00 41-01	CAMSHAFT		1	
2	588 00 42-01	ARM		2	
3	588 00 43-01	ROD		2	
4	588 00 44-01	PLATE		1	
5	588 00 45-01	ARM		2	
6	588 00 46-01	BOLT		2	5
7	588 00 47-01	ARM		2	5
8	588 00 48-01	NUT		2	5
9	588 00 50-01	NUT		2	5
10	588 00 51-01	INLET	Inlet	1	
11	588 01 57-01	VALVE	Exhaust	1	
12	588 00 53-01	SEAL		1	
13	588 00 54-01	SPRING		2	
14	588 00 55-01	SPRING	Intake	1	
15	588 00 56-01	SPRING	Exhaust	1	
16	588 00 57-01	ADJUSTER	Ex.	1	



WHEELS & TIRES

TF 338, 967316801, 2015-03

Ref	Part No	Description	Remark	QTY KIT
1	587 95 82-01	BOLT	Hex M10_25	16
2	587 95 83-01	RIM	LH Spoke	2
3	587 95 84-01	TYRE	4.0-8	2
4	587 95 85-01	RIM	RH Spoke	2
5	587 95 86-01	WHEEL AXLE		2
6	587 95 87-01	PIN	8_43	2
7	587 95 26-01	CLIP	Clip B	2
8	587 95 02-01	WASHER	10	16
9	587 95 88-01	NUT	M10	16